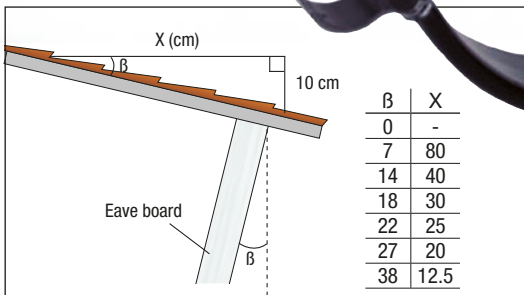
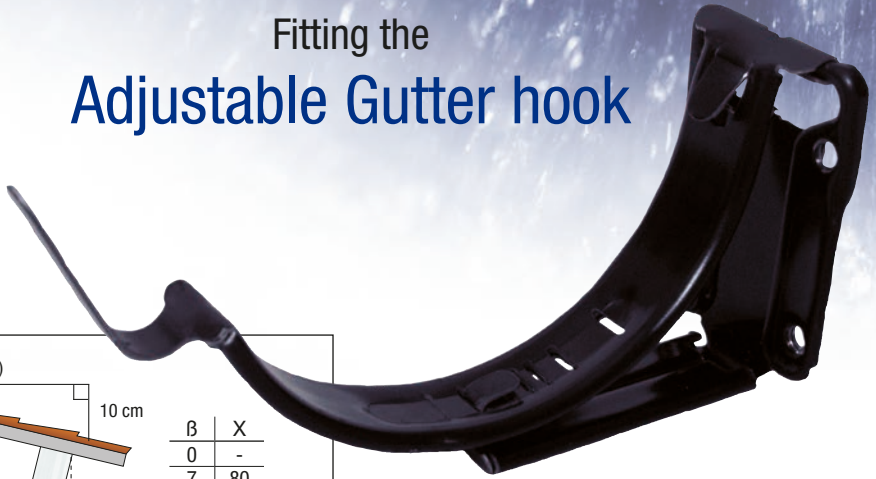


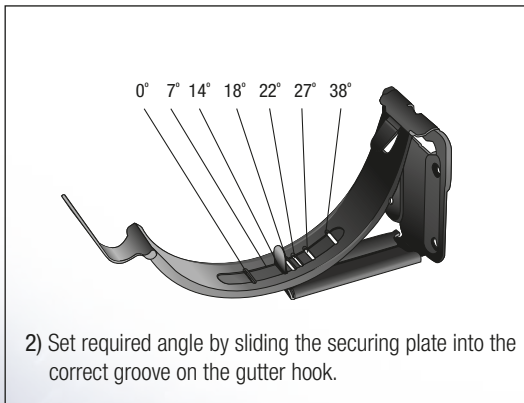


WE LOVE RAIN

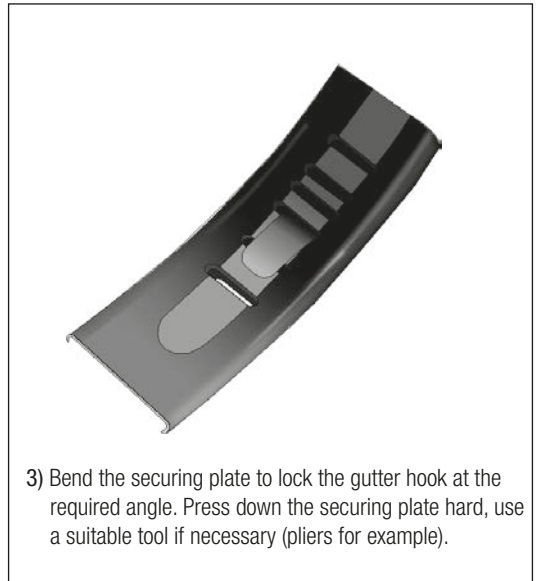
Fitting the Adjustable Gutter hook



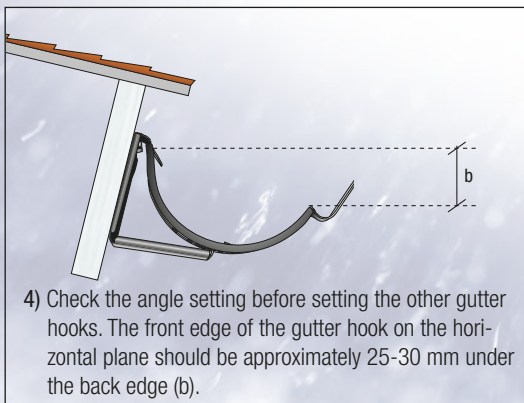
1) Find out the approximate angle of the roof / eave board.
(e.g. if section X is 40 cm then the roof slope is 14°)



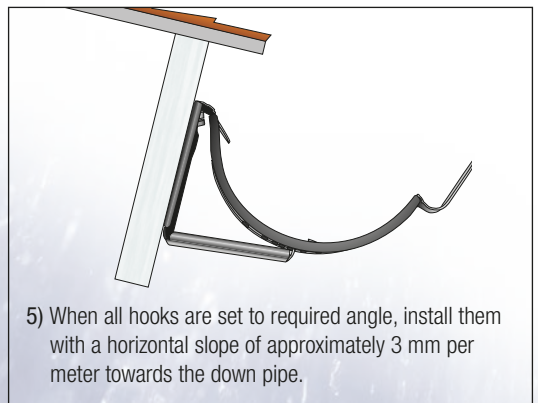
2) Set required angle by sliding the securing plate into the correct groove on the gutter hook.



3) Bend the securing plate to lock the gutter hook at the required angle. Press down the securing plate hard, use a suitable tool if necessary (pliers for example).



4) Check the angle setting before setting the other gutter hooks. The front edge of the gutter hook on the horizontal plane should be approximately 25-30 mm under the back edge (b).



5) When all hooks are set to required angle, install them with a horizontal slope of approximately 3 mm per meter towards the down pipe.